

CLASSIC 3D 80 TILT AND TURN GIESSE

The most performing system
for medium size windows



CLASSIC 3D 80 TILT AND TURN GIESSE

The most performing system for medium size windows

The Project

The windows' market segmentation showed the most windows' made dimensions are 1 square meter with a **load capacity less than 60 Kg.**

Example

1300 x 700 = 18 Kg (8 mm glass)/27 Kg (12 mm glass)

1300 x 1000 = 26 Kg (8 mm glass)/ 39 Kg (12 mm glass)

From this data and accurate market's assessments, GIESSE decided to start with a project dedicated to a new tilt & turn hardware for the average windows, while safeguarding **quality, easy** and **quick** way to assemble that have always characterized the GIESSE products.

The Solution

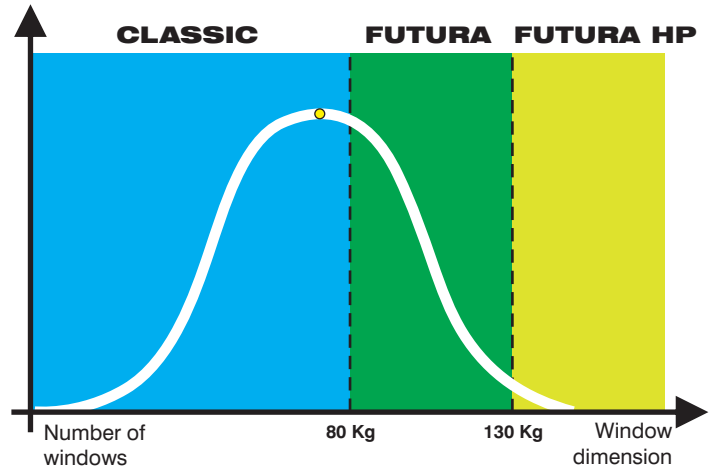
GIESSE solution for the small and medium tilt & turn windows with a dedicated product and not oversized. Available in the **traditional** version, **logica** and with **microventilation**.

80 Kg load capacity

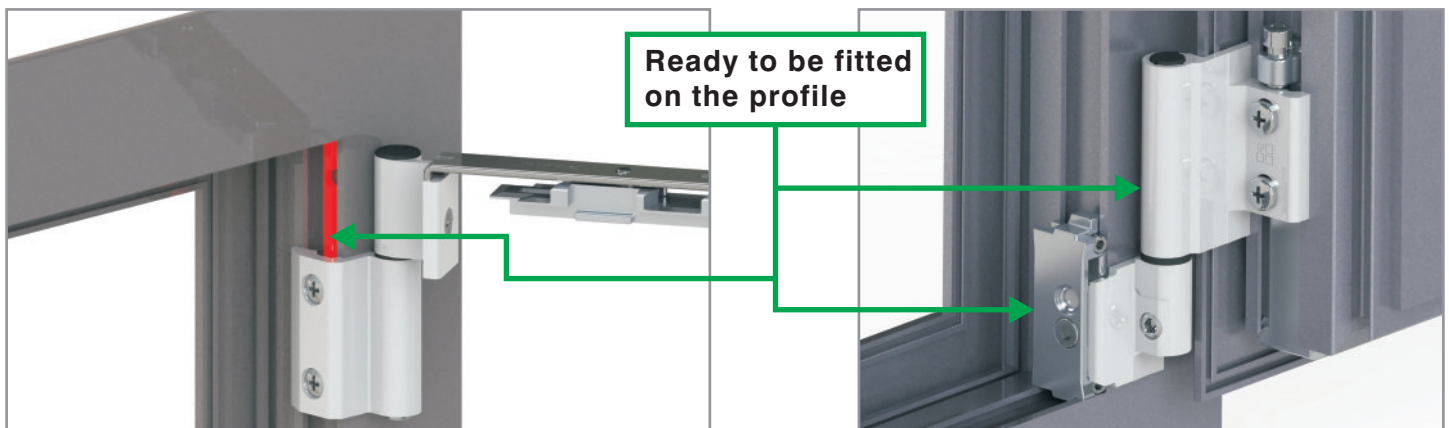
CLASSIC 3D 80 tilt & turn has a maximum load capacity of 80 Kg, an application range up to 2500 mm high and 1300 mm **width using always the same arm.**

Pre-assembled

The tilt & turn CLASSIC 3D 80 has **all the component pre-assembled** and, most of them **self-positioning on the frame**. The upper hinge includes a template that allows the self-positioning on the frame; the bottom hinges are completely self-positioning.



CLASSIC 3D 80	TRADITIONAL
CLASSIC 3D 80 lgc	LOGICA
CLASSIC 3D 80 micro	MICROVENTILATION

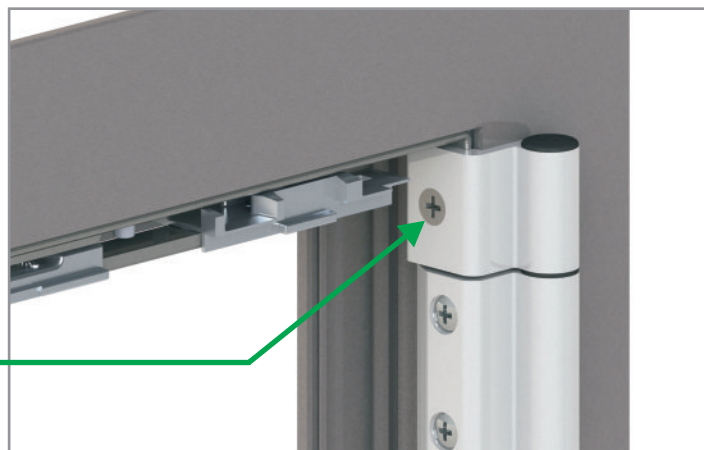
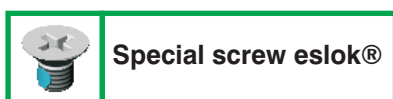


Guaranteed fixing

The upper hinge is fixed on the arm with a **special screw eslok®**.

Thanks to this system is **not possible the un-screw during the time**.

The arm, made with stainless rod, is self-positioning thanks to the 03528 template, is fixed on the sash with 2 grub-screw.



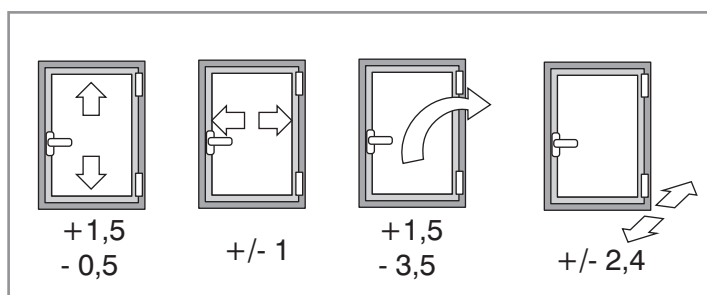
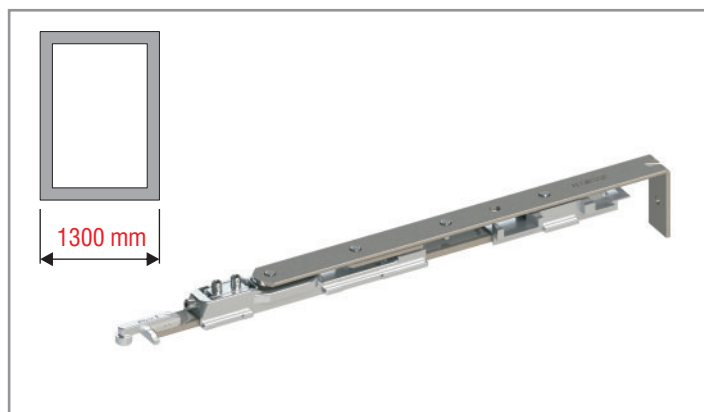
Only one arm up to 1300 mm width

With CLASSIC 3D tilt & turn is possible to make windows **from 390 to 1300 mm width with only one T1 arm**.

If the sash weight is greater than 60 Kg is mandatory the additional arm 04301K for width 1000 - 1300.

For windows shorter or wider are also available:

- T0 arm: from 350 to 410 mm
- T2 arm: from 550 to 1700 mm



3D adjustments

Same 3D adjustments of FUTURA tilt & turn:

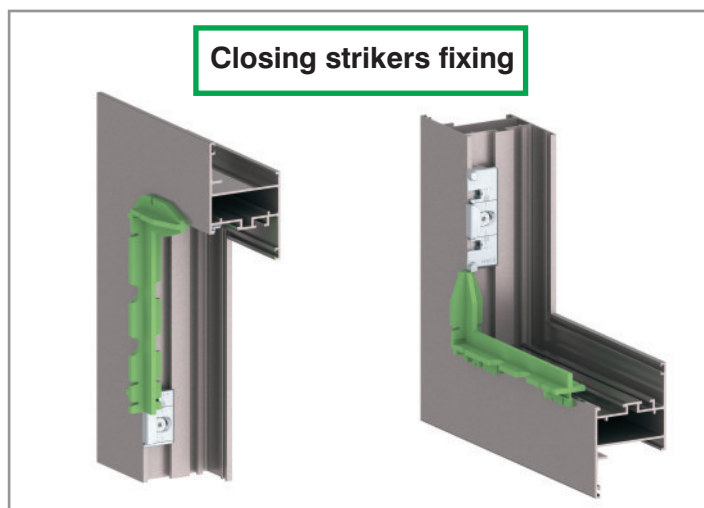
- +/- 1 mm side (hinges)
- +1,5 -0,5 mm height
- +/- 2,4 mm compression
- +1,5 -3,5 mm side (arm)

Template

Classic 3D 80 tilt & turn has also a template, code 03528, that allows the **gaskets cutting** in the hinges area, the quick **strikers fixing** and the **arm positioning**.

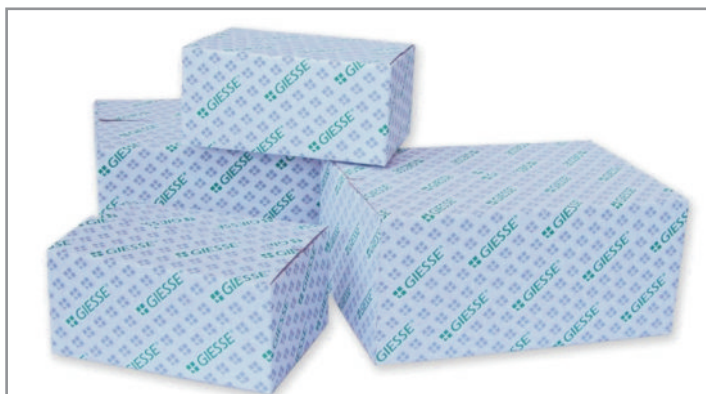


Closing strikers fixing



Packaging

The CLASSIC tilt & turn follow the same packaging of the FUTURA tilt & turn.



Item	Description	Pcs
04739	CLASSIC 3D 80 hinges	10
04352	T0 arm	10
04322	T1 arm	10
04323	T2 arm	10
04329	T1 arm logica	10
04330	T2 arm logica	10
04339	T1 arm microventilation	10
04340	T2 arm microventilation	10
04704	T&T cremone mechanism	10
04705N	T&T window handle mechanism	10
04706	T&T cremone mechanism logica	10
04707N	T&T window handle mechanism logica	10
01033K	Prima cremone	10
01090K	Euro cremone	10
01039	Prima microventilation cremone	10
01094	Euro microventilation cremone	10
01149K	Prima Key logica cremone	10
02484	Prima window handle	10
02486	Prima Key logica window handle	10
03528	CLASSIC 3D 80 template	20

CHARACTERISTICS	CLASSIC 3D 80		FUTURA 3D 130		FUTURA 3D 150 HP		FUTURA 3D 170 HP Invisible	
	1 WING	2 WINGS	1 WING	2 WINGS	1 WING	2 WINGS	1 WING	2 WINGS
	Load capacity [Kg]	80	80	130	130	150	150	170
Certifications	No	No	IFT QM328	IFT QM328	IFT QM328	IFT QM328	IFT QM328	IFT QM328
Width [mm]	350 ÷ 1700	350 ÷ 1700	350 ÷ 1800	350 ÷ 1800	380 ÷ 1700	380 ÷ 1700	430 ÷ 1700	430 ÷ 1700
Height [mm]	600 ÷ 2500	600 ÷ 2500	600 ÷ 3000	600 ÷ 3000	600 ÷ 2500	600 ÷ 2500	600 ÷ 2500	600 ÷ 2500
Specific hinges for inward opening double casement windows	-	No	-	Yes	-	Yes	-	Yes
Logica version	Yes	-	Yes	-	Yes	-	Yes	-
Microventilation	Yes	-	Yes	-	Yes	-	Yes	-
Compression adjustment	Yes	Yes	Yes	Yes	Yes	Yes	Yes	Yes
Height adjustment	Yes	Yes	Yes	Yes	Yes	Yes	Yes	Yes
Side adjustment	Yes	Yes	Yes	Yes	Yes	Yes	Yes	Yes
Finishes available	all RAL colours		all RAL colours		all RAL colours		-	
Coated on specific request	Yes	Yes	Yes	Yes	Yes	Yes	No	No
Available untreated	Yes	Yes	Yes	Yes	Yes	Yes	No	No
Additional locking points	Yes	Yes	Yes	Yes	Yes	Yes	Yes	Yes
Locking burglar bolt for inward opening double casement windows	-	Yes	-	Yes	-	Yes	-	Yes
Cremone with key	Yes	-	Yes	-	Yes	-	Yes	-
Tamper-proof device	Yes	Yes	Yes	Yes	Yes	Yes	Yes	Yes
Stay arm	Yes	Yes	Yes	Yes	Yes	Yes	Yes	Yes
M180 mechanism and window handle	Yes	-	Yes	-	Yes	-	Yes	-



U0426101/04-2013